



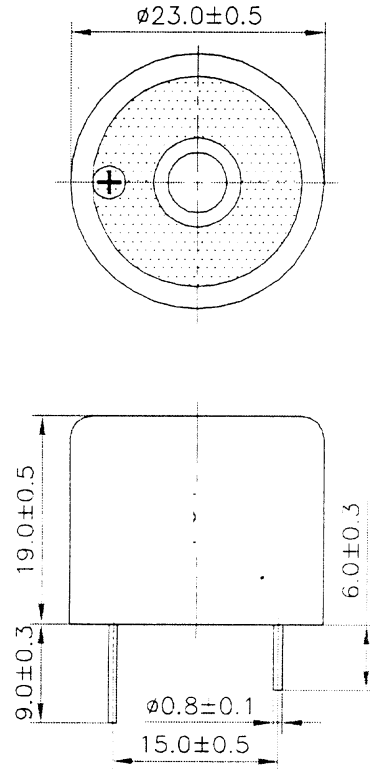
# PIEZO-CERAMIC ELECTROACOUSTIC ELEMENT SERIES

## PIEZO BUZZER ---- TYPE PD23330-P090A4-S12AL(FP)

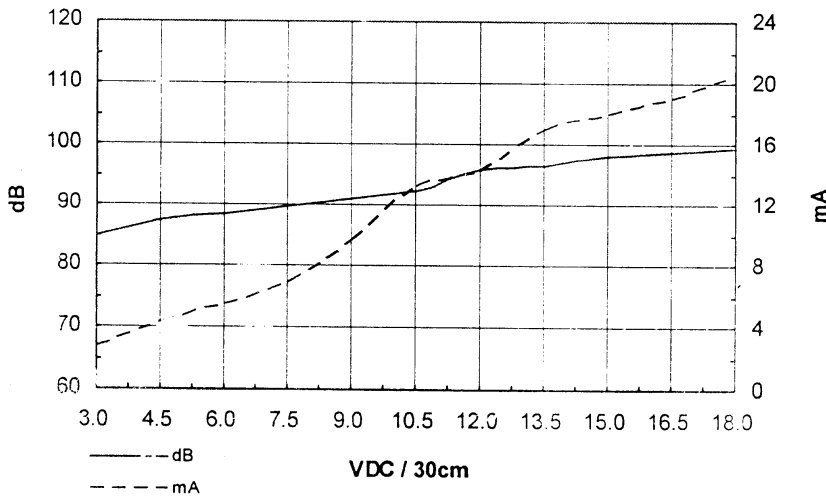
### SPECIFICATIONS

Sound Pressure Level	90 dB Min. at 12 V <sub>DC</sub> /30cm
Resonant Frequency	3.3±0.5 kHz
Current at Rated Voltage	15.0mA Max.
Rated Voltage	12.0 V <sub>DC</sub>
Operating Voltage	3.0~18.0 V <sub>DC</sub>
Tone Nature	Continues
Operating Temperature	-20°C ~ +60°C
Storage Temperature	-30°C ~ +70°C
Terminal	Pins
Housing Material	ABS-777D
Dimensions (mm)	See the Drawing

### APPEARANCE



VDC / SPL / Current Consumption Curve



Version: SP766A-060526

拟制 Design	审核 Checked	标准化 Standardization	批准 Approved
刘贵兰	莫佩良	林强	林强